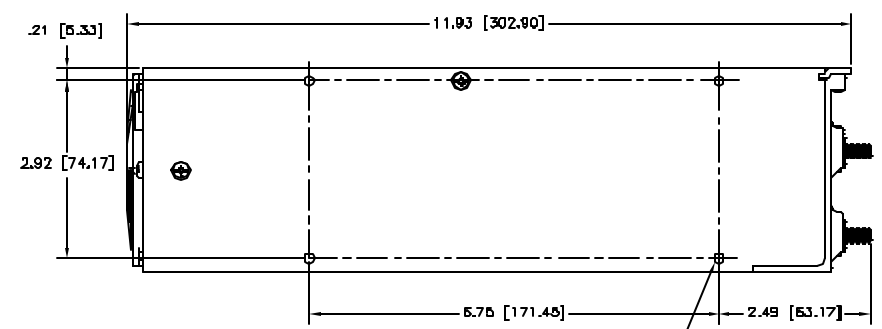
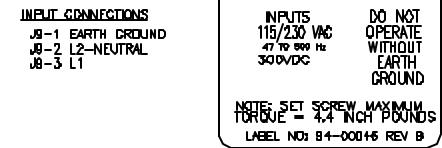
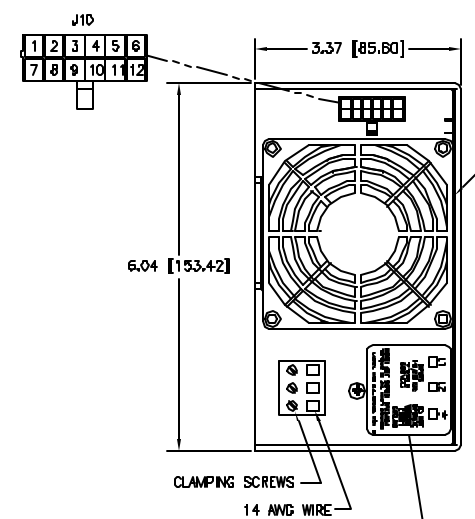


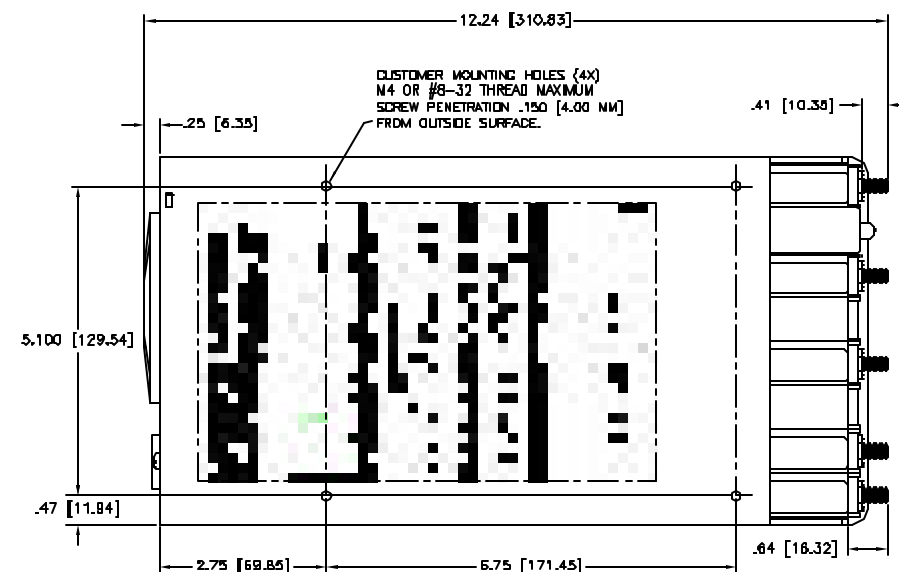
PROPRIETARY DATA:
 This document and information contained
 may not be reproduced, used or disclosed
 without prior written permission of WESTCOR
 a division of VICOR Corporation.

| REVISIONS | | | | |
|-----------|-----|---------------------------------|----------|----------|
| ECO | REV | DESCRIPTION | DATE | APPROVED |
| 929 | A | PRODUCTION RELEASE | 08-28-99 | RED |
| --- | A1 | ADD (BLACK) TO TITLE | 10/05/00 | LGK |
| 1137 | B | ADD REFERENCE TO VICOR WEB PAGE | 3/21/02 | RME |

- J10 INTERFACE**
- | | |
|--------|---------------|
| J10-1 | E/D-1 |
| J10-2 | E/D-2 |
| J10-3 | E/D-3 |
| J10-4 | E/D-4 |
| J10-5 | E/D-5 |
| J10-6 | E/D-6 |
| J10-7 | E/D-7 |
| J10-8 | E/D-8 |
| J10-9 | Vcc +0V, D.3A |
| J10-10 | SIGNAL GROUND |
| J10-11 | AC POWER OK |
| J10-12 | GEN SHUTDOWN |
- MATING HOWR:**
 HOUSING-MOLEX P/N: 39-01-2120
 TERMINALS-MOLEX P/N: 39-00-0039
 CRIMP TOOL-MOLEX P/N: 11-01-0122

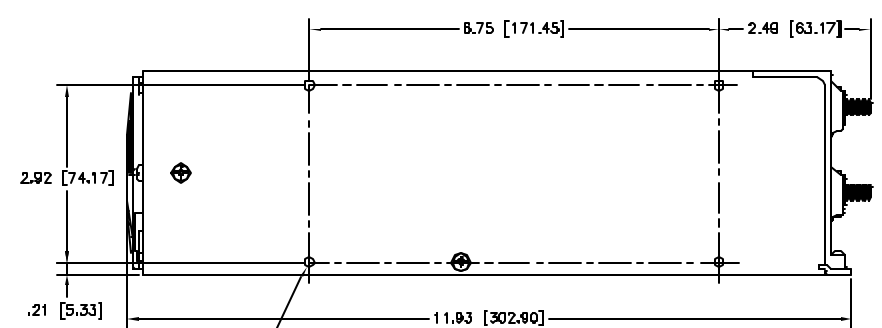
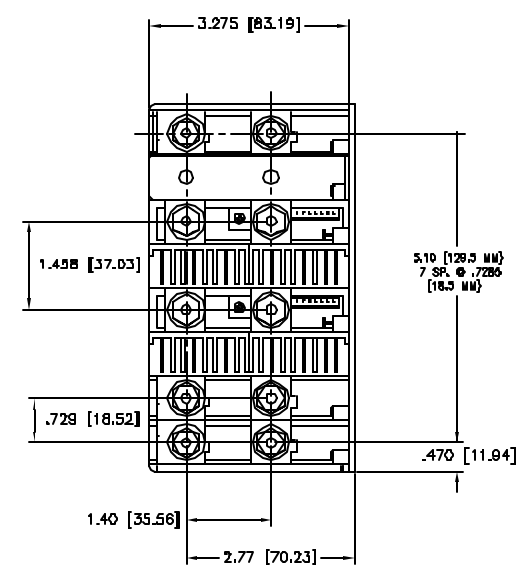


CUSTOMER MOUNTING HOLES (4X)
 M4 OR #8-32 THREAD MAXIMUM
 SCREW PENETRATION .150 [4.00 MM]
 FROM OUTSIDE SURFACE.



CUSTOMER MOUNTING HOLES (4X)
 M4 OR #8-32 THREAD MAXIMUM
 SCREW PENETRATION .150 [4.00 MM]
 FROM OUTSIDE SURFACE.

1/4 - 20 SERRATED FLANGED
 NUT ZINC PLATED STEEL
 WITH OPTIONAL BUSS BARS



CUSTOMER MOUNTING HOLES (4X)
 M4 OR #8-32 THREAD MAXIMUM
 SCREW PENETRATION .150 [4.00 MM]
 FROM OUTSIDE SURFACE.

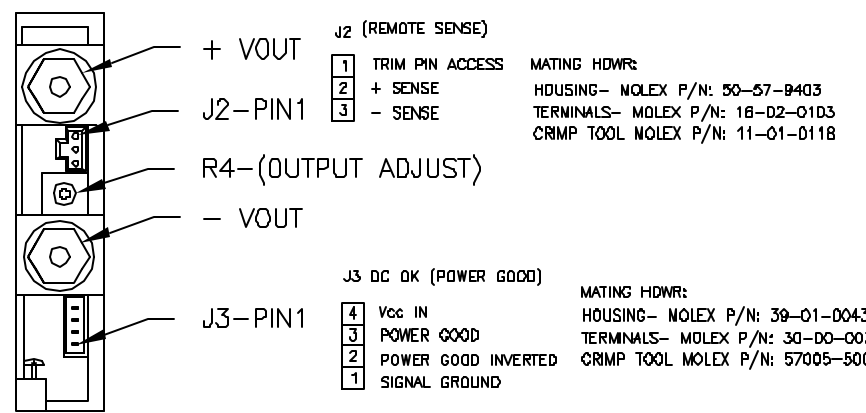
NOTE: A DETAILED DESIGN GUIDE IS
 AVAILABLE @ www.vicorpower.com

NOTES: UNLESS OTHERWISE SPECIFIED

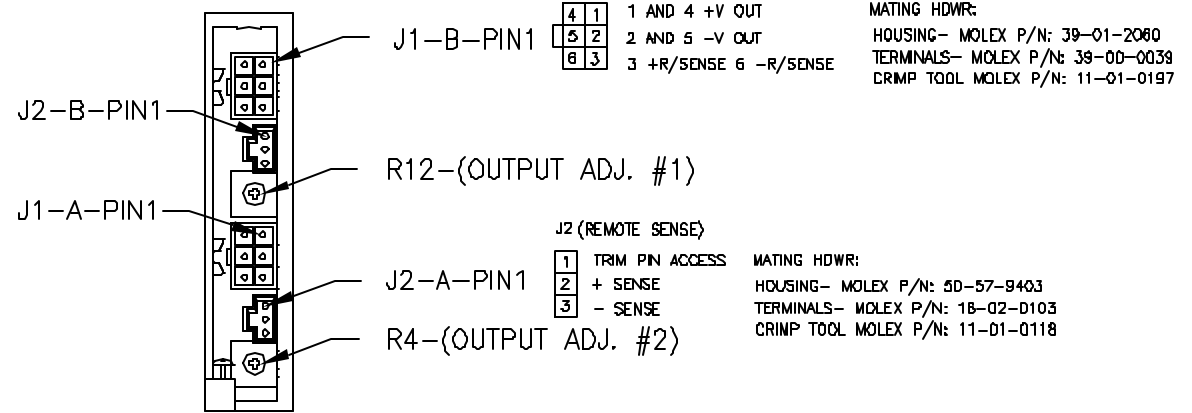
| UNLESS OTHERWISE SPECIFIED DIMENSIONS ARE IN INCHES TOLERANCES ARE: | | THIRD ANGLE PROJECTION | | WESTCOR a division of VICOR Corp. | |
|---|------------|------------------------|--------------|-----------------------------------|---|
| FRACTIONS | DECIMALS | ANGLES | APPROVALS | DATE | |
| ± 1/32 | .005 ± .01 | ± 1/2° | LARRY KING | 10/13/99 | OUTLINE DRAWING PFC MEGAPAC HIGH POWER (2.4KW) SIZE: D CASE CODE: DESV2 DWG NO: 08-130097 SCALE: NTS FILENAME: 08-130097 SHEET: 1 OF 2 |
| MATERIAL | SEE BOM | CHECKED | HUY DDAN | 10/13/99 | |
| FINISH | --- | APPROVED | P.B. DRABING | 10/13/99 | |
| NEXT ASSY | USED ON | DESIGNED | --- | --- | |
| APPLICATION | | DO NOT SCALE DRAWING | | | |

| REVISIONS | | | | |
|-----------|-----|-------------|------|----------|
| ECO | REV | DESCRIPTION | DATE | APPROVED |
| --- | -- | SEE SHEET 1 | --- | --- |

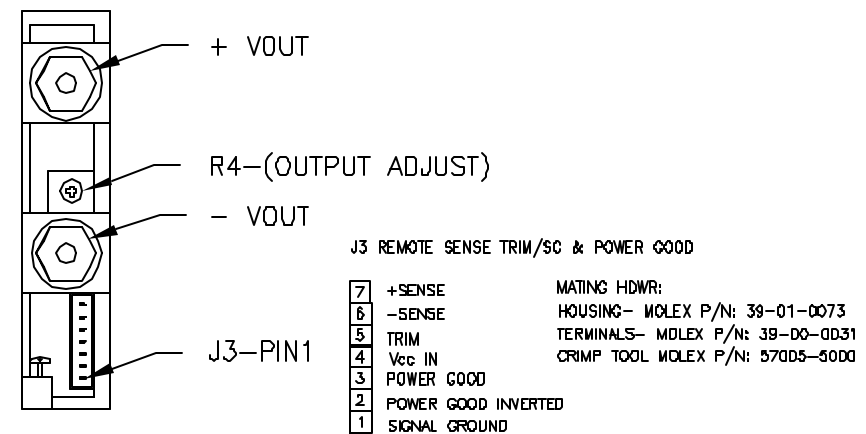
MODUPAC/JR.PAC/RAMPAC



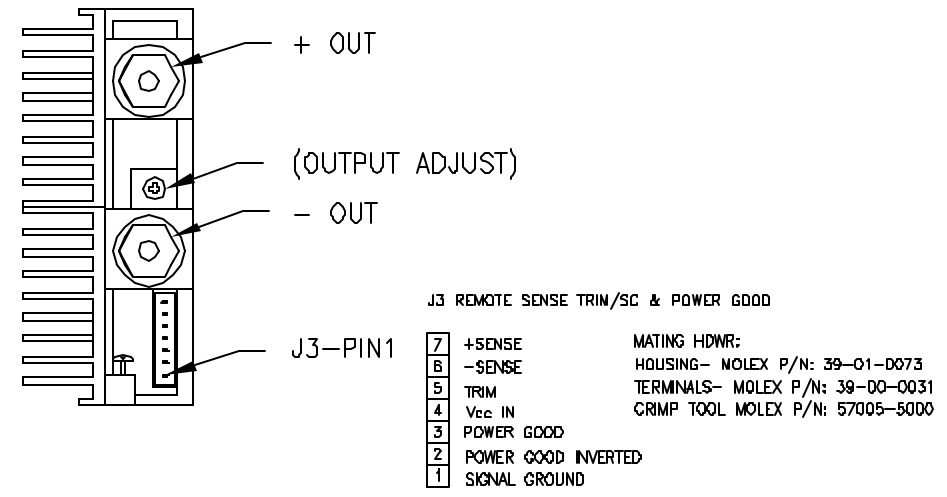
DUALPAC



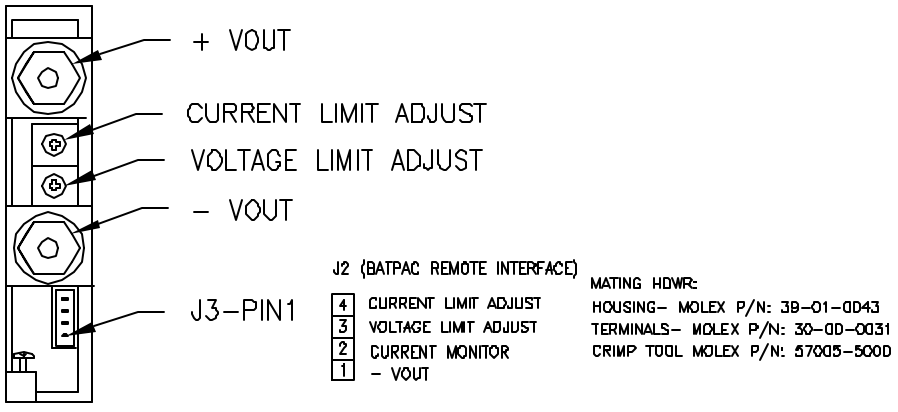
UNIPAC



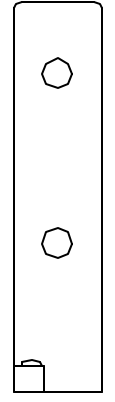
FINPAC



BATPAC



AIR BLOCK



| | | | |
|--|--|---------------------------|--------------------|
| WESTCOR a division of VICOR Corp. | OUTLINE DWG PFC MEGAPAC HIGH POWER (2.4KW) | | |
| | PROPRIETARY DATA: This document and information contained may not be reproduced, used or disclosed without prior written permission of WESTCOR a division of VICOR Corporation. | SIZE: D CAGE CODE: --- | DWG NO.: 08-130097 |
| FILENAME: 08-130097 | | SHEET 2 OF 2 | |