

PI33xx-xx-EVAL1

ZVS Switching Regulators

Multi-Phase Guide



Contents	Page
Introduction	1
Basic Connections	1
Two and Three Phases	1
Synchronization / Phase Delay	2
I²C™ Device Address	2
Programming Synchronization Delay	3
Kill Bit 2 Option	3

Introduction

This multi-phase guide provides an overview to paralleling two or three PI33xx-xx devices together without any change required to the basic single-phase power stage or compensation design. Paralleling multiple PI33xx modules increases the output current capability and reduces the output voltage ripple. For information on paralleling more than three regulators, please contact Vicor.

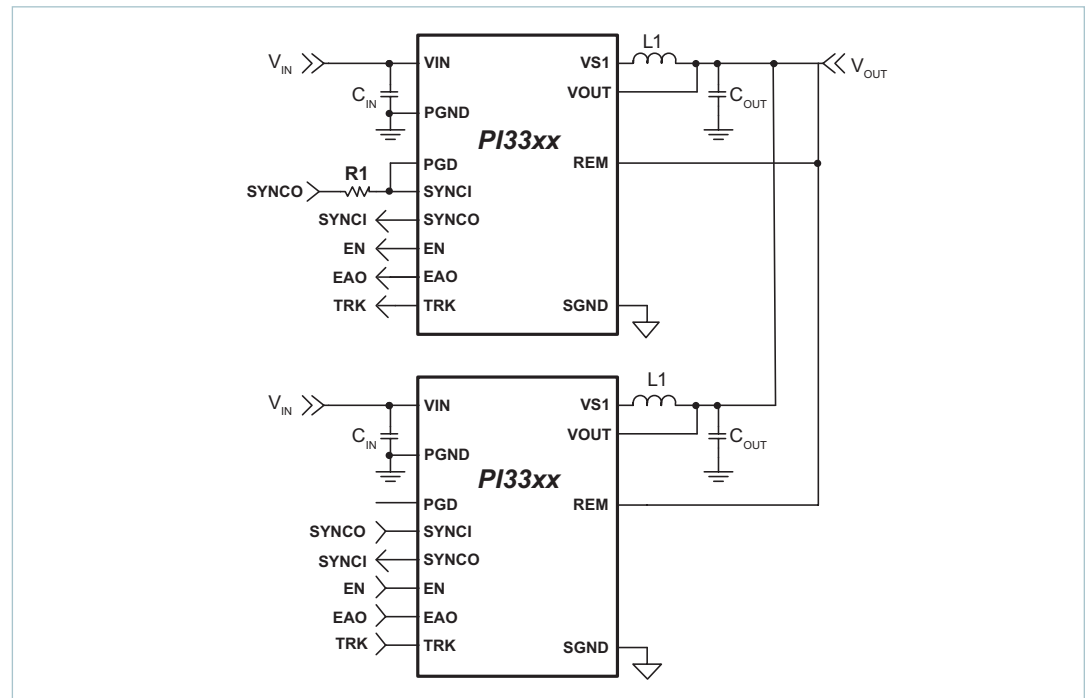
Basic Connections

The PI33xx family of products employs a Zero-Voltage Switching (ZVS) topology which operates exclusively in discontinuous and critical conduction mode. Therefore, to derive real-time output current information, each device's error amplifier output (EAO) is trimmed to a nominal level (2.2V) when supporting the maximum rated output load. This will allow the EAO to track the output load. By trimming the EAO this way, additional regulators can be connected in parallel to deliver equal amount of current to a single regulated point by linking each regulator's EAO pin together. The basic pin connections needed to parallel two or three regulators are shown in Figure 1. The SYNCO pins are for phase synchronization, TRK is for soft start and fault shut-down tracking. EAO is for current sharing between phases.

Two and Three Phases

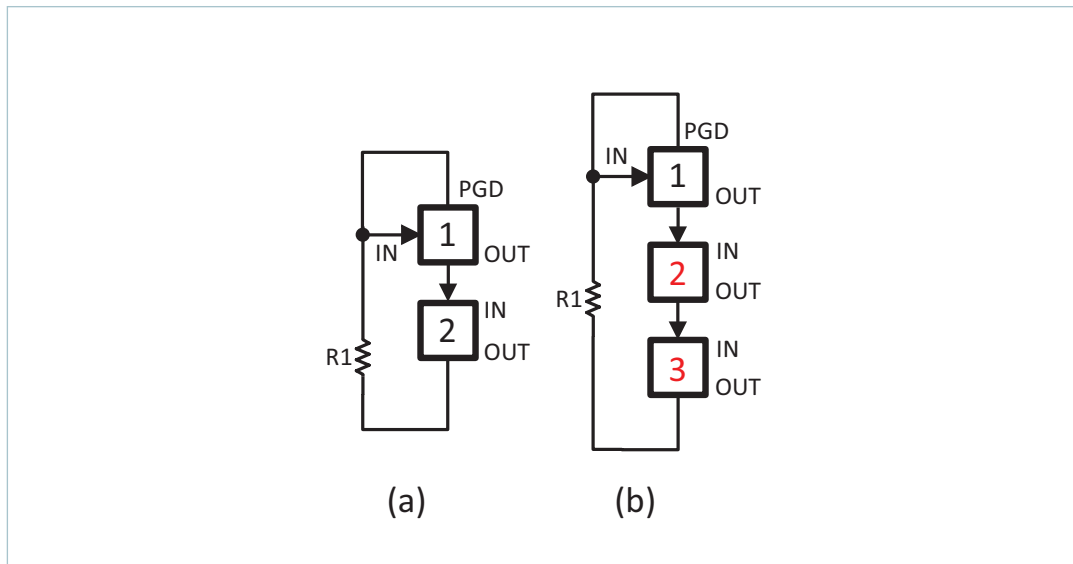
The PI33xx-2x can be synchronized in a closed-loop configuration to up to three phases by adding an additional 2.5kΩ (R1) feedback resistor to the design and incorporating the PGD pin.

Figure 1
Basic connections for parallel operation



This method will allow the regulators to remain in synchronization when the system's operational frequency stretches at high output loads. Figure 2 shows the basic synchronization connections and the phase requiring delays in red.

Figure 2
 SYNCI (IN) and SYNCO (OUT)
 connection for two- and
 three-phase design



The required per-phase delay and programming code are presented in the following table:

Table 1
 Phase programming codes

Regulator	Sync Delay and Code		
	1	2	3
2-phase	-	-	
3-phase	-	0Eh 1/3	0Eh 1/3

Synchronization / Phase Delay

Two regulators connected in parallel operation do not require any delay programming. As a default setting, the PI33xx-xx will trigger on the falling edge and will operate 180° out of phase with the master. For a three-phase operation, a 1/3-phase delay is required for two of the regulators to ensure proper phase spacing. Synchronization and phase delay is only programmable with I²C option regulators (PI33xx-2x).

I²C™ Device Address

The PI33xx-2x supports floating addressing so that two address lines allows for up to eight programmable addresses.

The address is 7 bit with the read/write bit not included. Table 2 shows the address range that can be achieved using all possible combinations of ADR0 (pad G1) and ADR1 (pad H1). Bits A[6]-A[3] are fixed internally and may not be changed. The least significant 3 bits; A[2]-A[0], will assume the values in the table based on the decoding of ADR1 and ADR0. A zero or one indicates the logic strength of the bit and "NC" indicates that the pin is floating or not connected. The HEX column indicates the final address in hexadecimal, while the DEC column is the decimal address value.

Table 2
 PI33xx-2x device addressing

A[6]	A[5]	A[4]	A[3]	A[2]	A[1]	A[0]	R/W	ADR1	ADR2	HEX	DEC
1	0	0	1	0	0	0	X	0	0	48	72
1	0	0	1	0	0	1	X	0	NC	49	73
1	0	0	1	0	1	0	X	0	1	4A	74
1	0	0	1	0	1	1	X	NC	0	4B	75
1	0	0	1	0	0	0	X	NC	NC	4C	76
1	0	0	1	1	0	1	X	NC	1	4D	77
1	0	0	1	1	1	0	X	1	0	4E	78
1	0	0	1	1	1	1	X	1	1+NC	4F	79

Programming Synchronization Delay

The PI33xx-2x provides an I²C™ standard-mode digital interface that enables the user to program phase delays. This is a one-time programmable option to the device. To set a delay, the user needs to assign a unique device address (see Table 2) to wake up the device during programming. Then send the synchronization delay address (21h) and the delay data (0Eh) while adhering to I²C protocols and Figure 4 sequencing.

The following figure demonstrates the proper steps to program a single-phase delay. The device address is determined by the user and the synchronization delay is provided in Table 1. The device address is represented as **XXh** (Bold) in Figure 3. Because this process is not reversible, it is important to follow all steps in Figure 3.

Figure 3
Showing the eight steps
required to program a single
1/3-phase delay

1. Clear all registers to 00h with the device enabled.

Start	Addr. Device	Wr	Ack	Addr. Reg	Ack	Data	Ack	Stop
S	XXh	1	0	20h	0	00h	0	P
S	XXh	1	0	21h	0	00h	0	P
S	XXh	1	0	22h	0	00h	0	P
2. Enter test mode 5.

Start	Addr. Device	Wr	Ack	Addr. Reg	Ack	Data	Ack	Stop
S	XXh	1	0	18h	0	05h	0	P
3. Disable then re-enable the device (Enable Pin).
4. Set desired delay.

Start	Addr. Device	Wr	Ack	Addr. Reg	Ack	Data	Ack	Stop
S	XXh	1	0	21h	0	0Eh	0	P
5. Disable device (Enable Pin).
6. Return to test mode 0.

Start	Addr. Device	Wr	Ack	Addr. Reg	Ack	Data	Ack	Stop
S	XXh	1	0	18h	0	00h	0	P
7. Repeat #1; clearing all registers.
8. Enable device (Enable Pin); programming is complete.

Kill Bit 2 Option

Once synchronization has been programmed, a kill bit located at address 22h can be burned, to 01h to prevent any future erroneous blowing of remaining zero bits. The programming protocol is the same as shown above (Figure 3) except for step 4. Change the address register to 22h and the data sent to 01h.

For more detailed I²C interfacing information and available software please refer to the [PI33xx-2x I²C Digital Interface Guide](#).

Limitation of Warranties

Information in this document is believed to be accurate and reliable. HOWEVER, THIS INFORMATION IS PROVIDED "AS IS" AND WITHOUT ANY WARRANTIES, EXPRESSED OR IMPLIED, AS TO THE ACCURACY OR COMPLETENESS OF SUCH INFORMATION. VICOR SHALL HAVE NO LIABILITY FOR THE CONSEQUENCES OF USE OF SUCH INFORMATION. IN NO EVENT SHALL VICOR BE LIABLE FOR ANY INDIRECT, INCIDENTAL, PUNITIVE, SPECIAL OR CONSEQUENTIAL DAMAGES (INCLUDING, WITHOUT LIMITATION, LOST PROFITS OR SAVINGS, BUSINESS INTERRUPTION, COSTS RELATED TO THE REMOVAL OR REPLACEMENT OF ANY PRODUCTS OR REWORK CHARGES).

Vicor reserves the right to make changes to information published in this document, at any time and without notice. You should verify that this document and information is current. This document supersedes and replaces all prior versions of this publication.

All guidance and content herein are for illustrative purposes only. Vicor makes no representation or warranty that the products and/or services described herein will be suitable for the specified use without further testing or modification. You are responsible for the design and operation of your applications and products using Vicor products, and Vicor accepts no liability for any assistance with applications or customer product design. It is your sole responsibility to determine whether the Vicor product is suitable and fit for your applications and products, and to implement adequate design, testing and operating safeguards for your planned application(s) and use(s).

VICOR PRODUCTS ARE NOT DESIGNED, AUTHORIZED OR WARRANTED FOR USE IN LIFE SUPPORT, LIFE-CRITICAL OR SAFETY-CRITICAL SYSTEMS OR EQUIPMENT. VICOR PRODUCTS ARE NOT CERTIFIED TO MEET ISO 13485 FOR USE IN MEDICAL EQUIPMENT NOR ISO/TS16949 FOR USE IN AUTOMOTIVE APPLICATIONS OR OTHER SIMILAR MEDICAL AND AUTOMOTIVE STANDARDS. VICOR DISCLAIMS ANY AND ALL LIABILITY FOR INCLUSION AND/OR USE OF VICOR PRODUCTS IN SUCH EQUIPMENT OR APPLICATIONS AND THEREFORE SUCH INCLUSION AND/OR USE IS AT YOUR OWN RISK.

Terms of Sale

The purchase and sale of Vicor products is subject to the Vicor Corporation Terms and Conditions of Sale which are available at: (<http://www.vicorpower.com/termsconditionswarranty>)

Export Control

This document as well as the item(s) described herein may be subject to export control regulations. Export may require a prior authorization from U.S. export authorities.

Contact Us: <http://www.vicorpower.com/contact-us>

Vicor Corporation
25 Frontage Road
Andover, MA, USA 01810
Tel: 800-735-6200
Fax: 978-475-6715
www.vicorpower.com

email

Customer Service: custserv@vicorpower.com
Technical Support: apps@vicorpower.com