

ConverterPAC Description

ConverterPACs are the family of slide-in output assemblies used in MegaPAC power supplies. There are currently 12 ConverterPACs available for use. Most ConverterPACs of the same length are interchangeable within a MegaPAC and between different AC input MegaPAC chassis. They can be added, moved, or changed as necessary. The type of ConverterPAC used in this slot is a FinQPAC.

FinQPAC (PZL = Non-RoHS; GPL = RoHS)

The FinQPAC output assembly consists of a 375V_{in} **Maxi** DC to DC converter that converts the unregulated high voltage bus to the desired regulated output voltage. Each FinQPAC can provide up to 600 Watts of output power, and booster FinQPACs can be added in parallel for more power. FinQPACs are fused with a PC-Tron, DC-rated, fast-acting fuse. An active preload ensures the DC to DC converter operates in its highest noise performance range. As the load on the module increases, the preload removes itself from the circuit. Ripple and common mode noise filters on the output reduce ripple under any load conditions to 10mV p-p or 0.15% which is greater. Each FinQPAC occupies 2 slots because it has an extra large heatsink attached to dissipate the heat generated by this more powerful 2nd Gen onverter. Currently, the FinQPAC is ONLY used in the PFC MegaAPC-HPEL. It cannot be used in any other member of the MegaPAC Family. A number of options such as DC Power Good signal and output voltage Trim potentiometer are available. All FinQPACs have overcurrent protection with automatic recovery when the overcurrent condition is removed. Over Voltage Protection (OVP) and Over Temperature Limiting (OTL) are available. Please note that for the FinQPAC the output voltage from either output terminal to chassis should not exceed 500 Vdc, or peak. FinQPACS can only be used in the extended length MegaPACs.



Newer FinQPACs have Autosense. This feature automatically locally senses the output if remote sense is not used. To check if an output has the Autosense feature, measure the impedance from the + Out to + Sense and - Out to - Sense pins. If the impedance is 5 ohms, then the output has Autosense and does not require local sense jumpers. If a unit does not have Autosense, sense connections must be made. Please also note that newer FinQPACs have new outputs studs that are 1/8" longer to allow for multiple lugs. They are fully compatible with the original flanged nut ConverterPACs for use in parallel arrays. For further technical information about ConverterPACs, contact Applications Engineering at 1-800-927-9474.

Options Available for FinQPAC

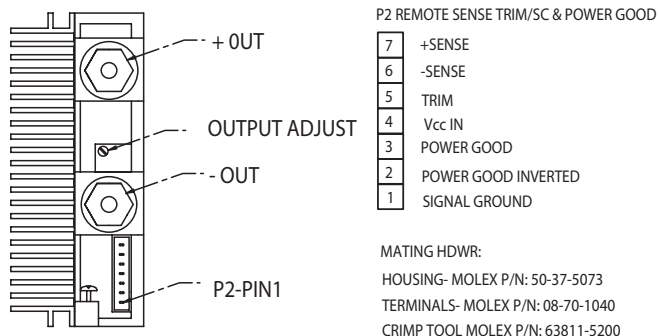
OPTIONS

D	Power Good
T	Trim +/-10%
F	Trim: +10%/-50%

AVAILABILITY

OPTIONAL
OPTIONAL
OPTIONAL

FinQPAC Output and Connector Pin Identification



Output connector kits (optional) for your MegaPAC supply are available for purchase from Westcor:

	Part Number
Single phase input	43075
Three phase input	43541